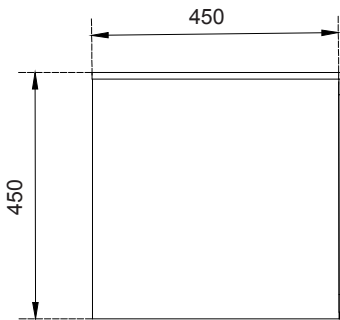
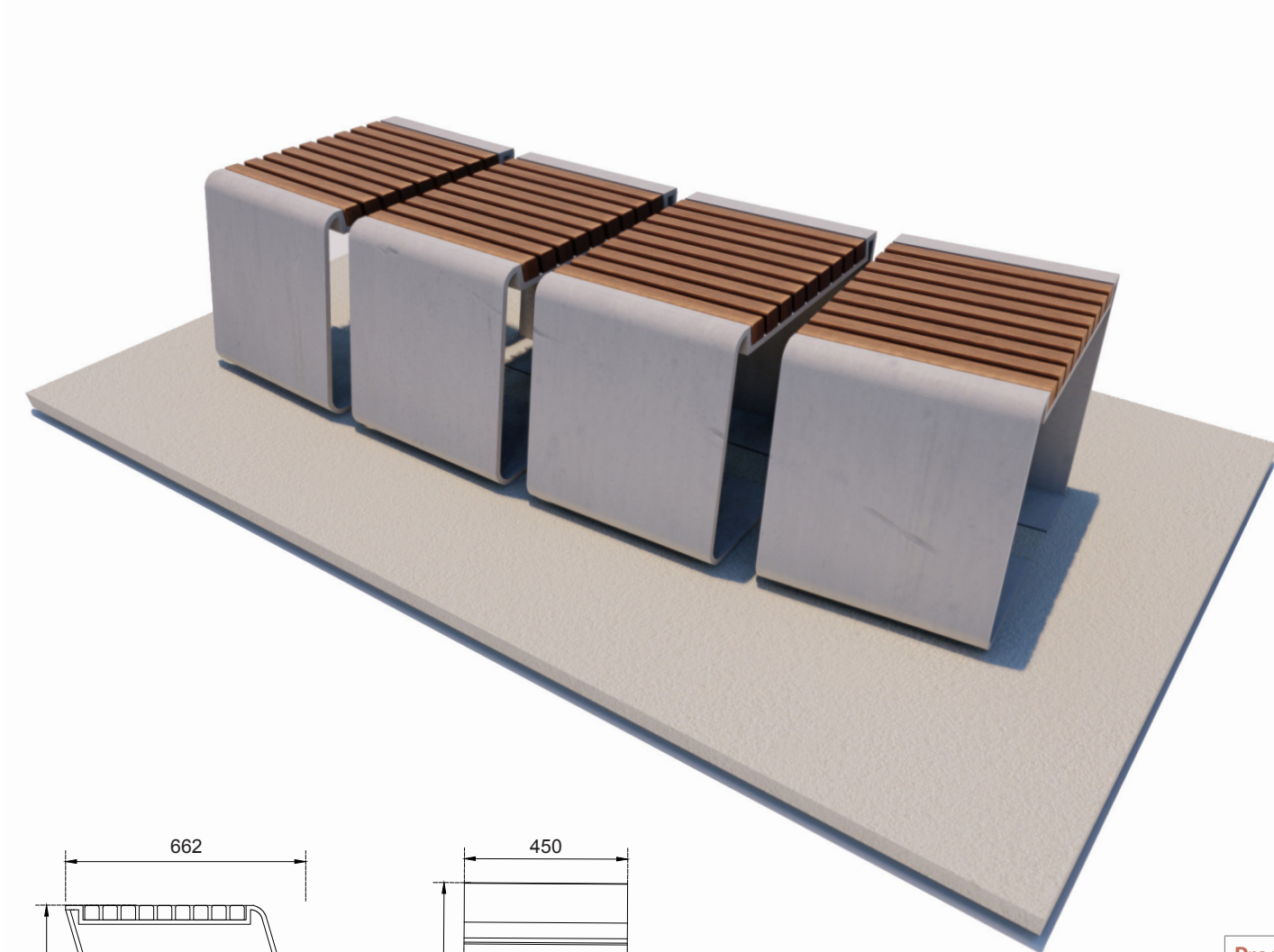
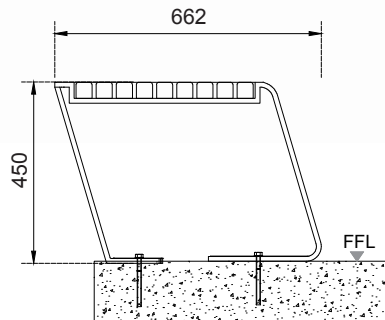


Folded Modular Bench

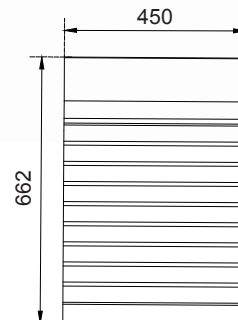
dotsdesignhouse.com
info@dotsdesignhouse.com



FRONT VIEW



SIDE VIEW

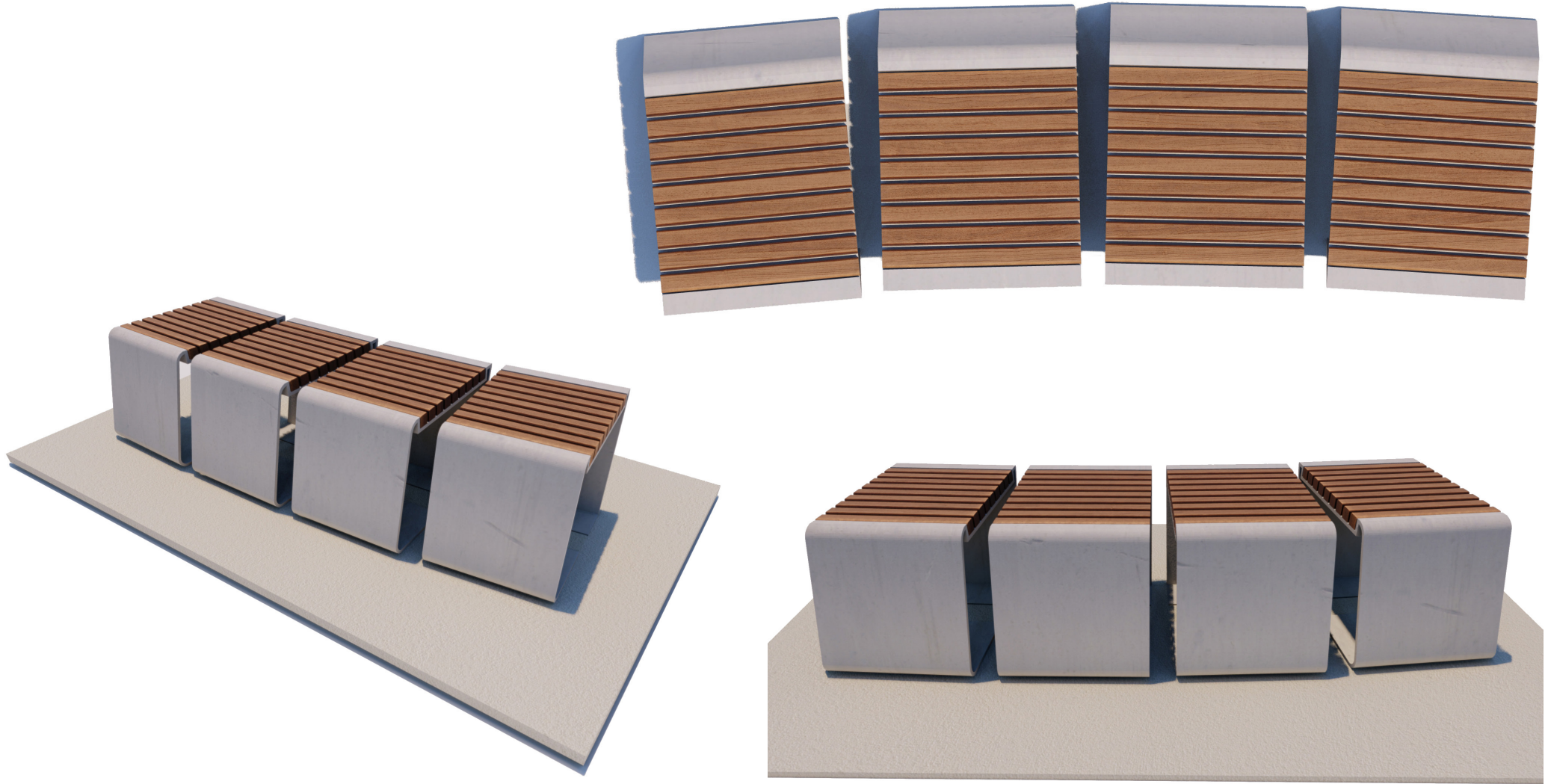


TOP VIEW

Product Data	
Code	DTS-FLD-08
Length	450 mm
Width	662 mm
Total Height	450 mm

Folded Modular Bench

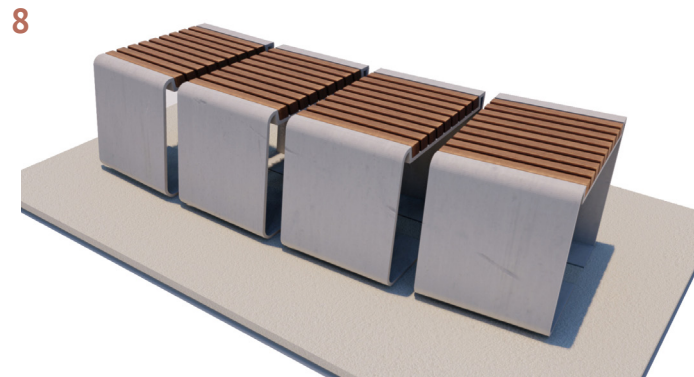
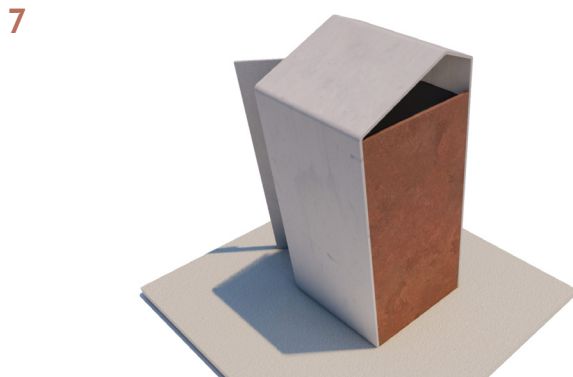
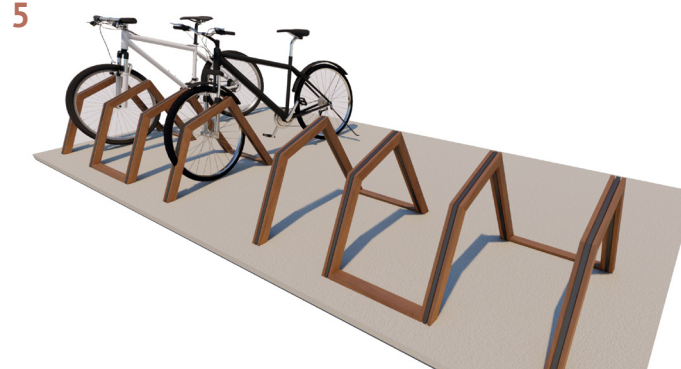
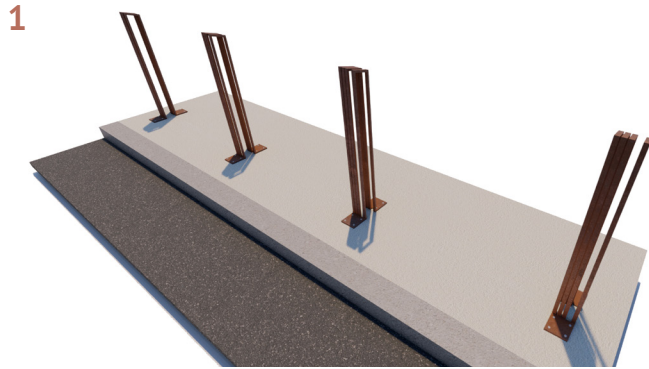
dotsdesignhouse.com
info@dotsdesignhouse.com



Folded Family



Folded Family



1. Folded Bollard
2. Folded Bollard Cycle Rack A
3. Folded Bicycle Rack Type A
4. Folded Bicycle Rack Type B
5. Folded Bicycle Rack Type C
6. Folded Bicycle Rack Type D
7. Folded Litter Bin
8. Folded Modular Bench